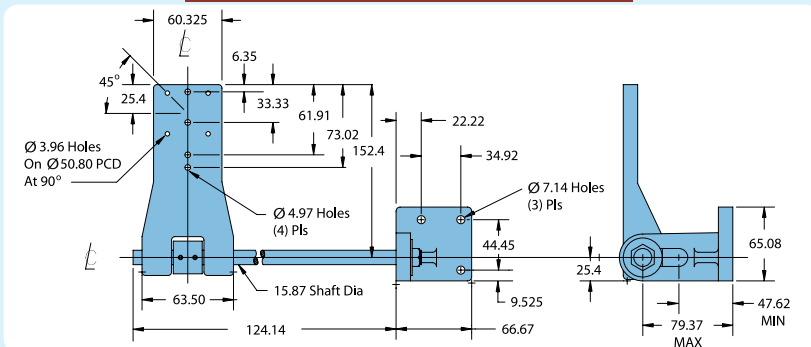
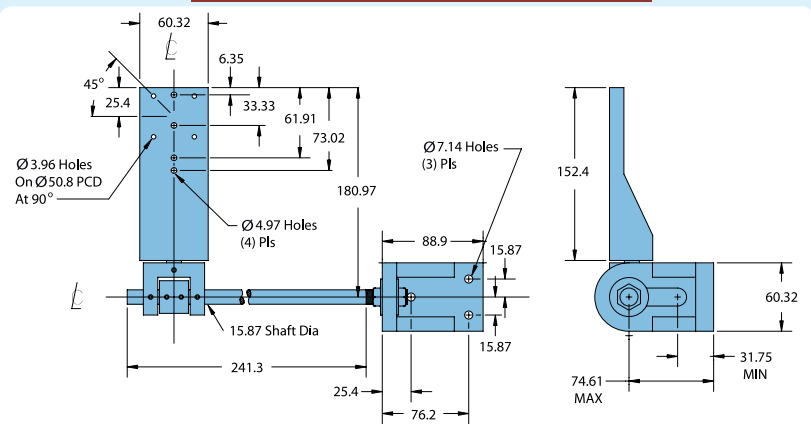


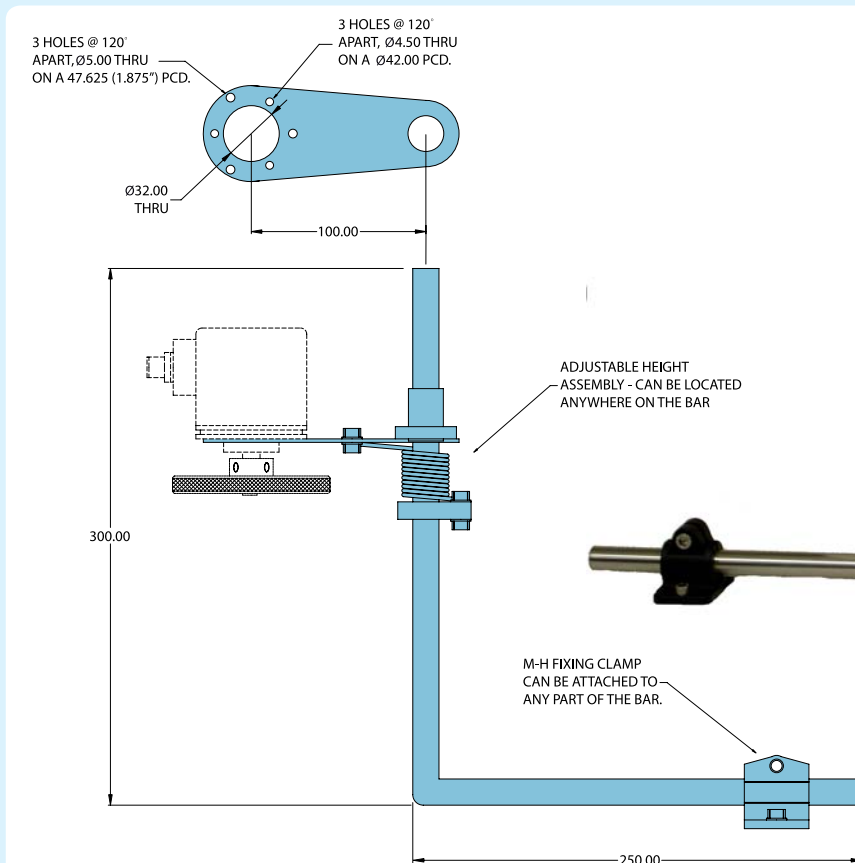
140039 Hinged Single Pivot Bracket



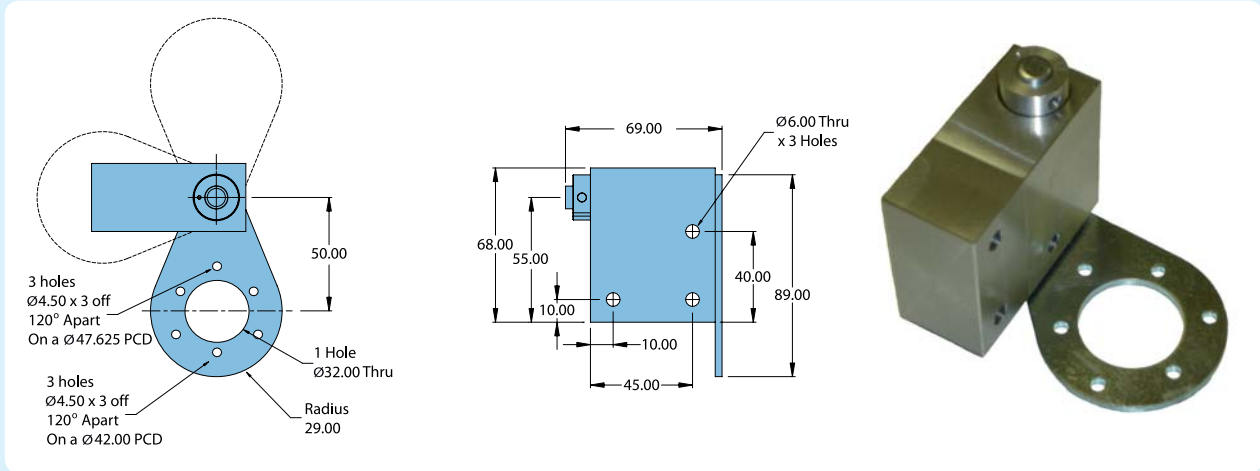
140040 Hinged Double Pivot Bracket



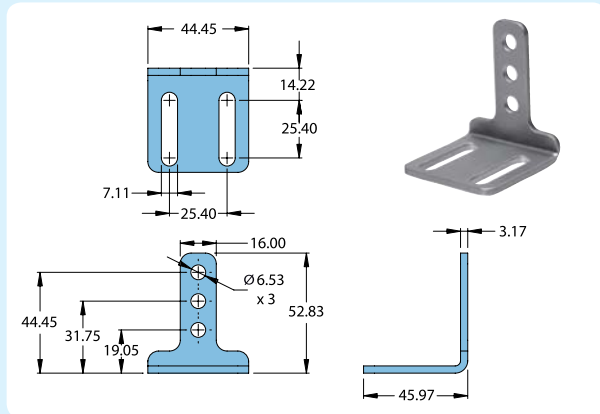
M-H Spring Loaded Bracket Arm Assembly



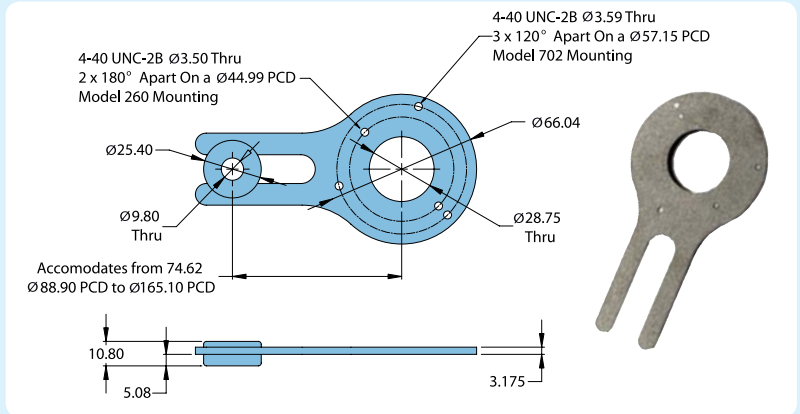
M-F Spring Loaded Pivot Block



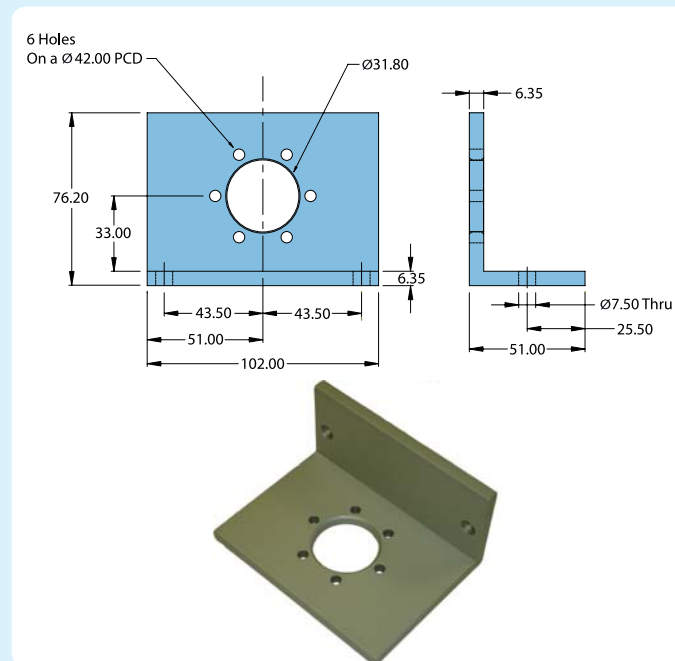
140104 - TR1 Mounting Bracket



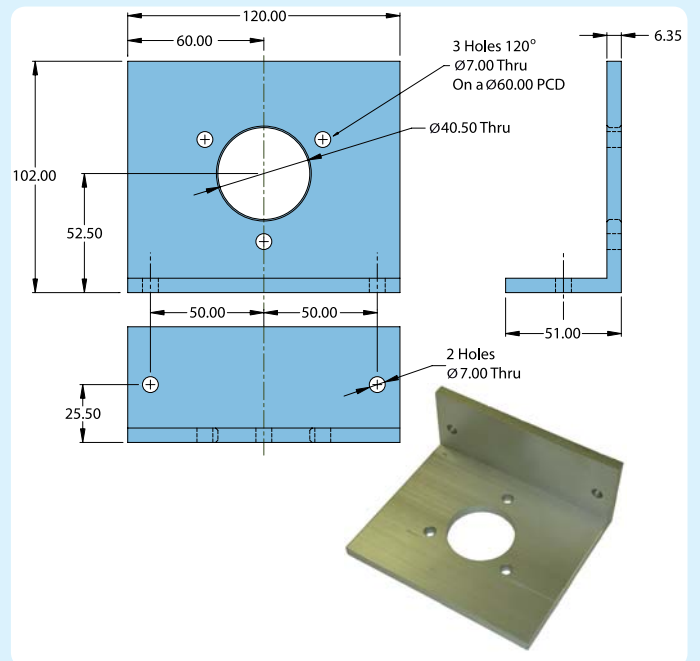
175997-1 - 260/702 Uni-Bracket



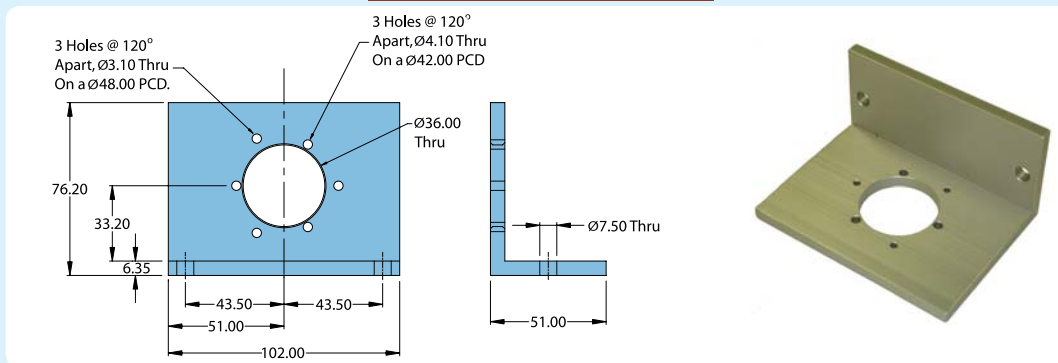
M-3 725/925 "L" Bracket



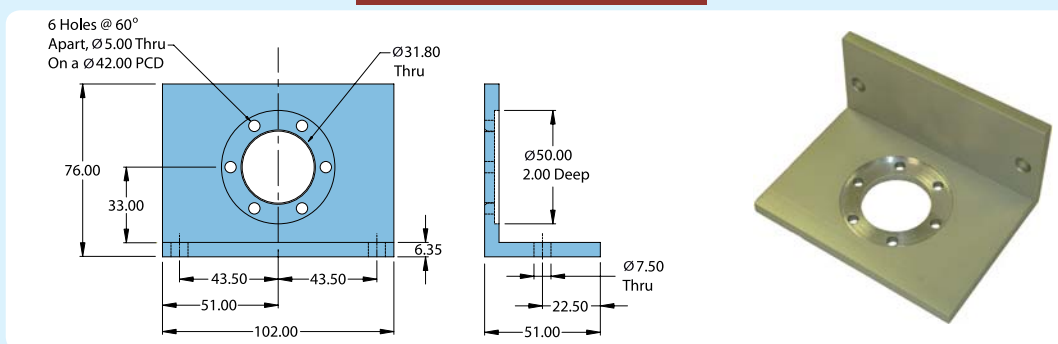
M-4 740 STD "L" Bracket



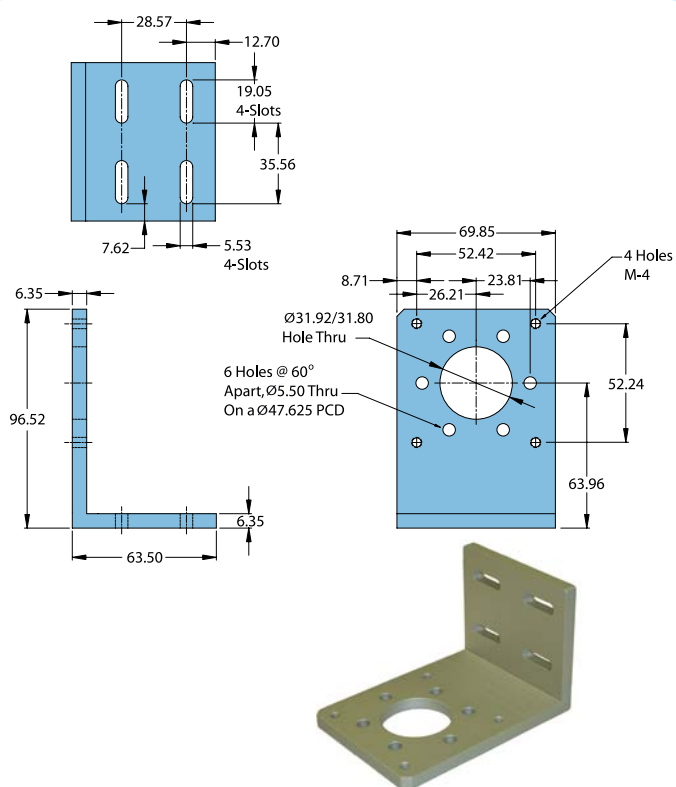
M-B 758/958-20 "L" Bracket



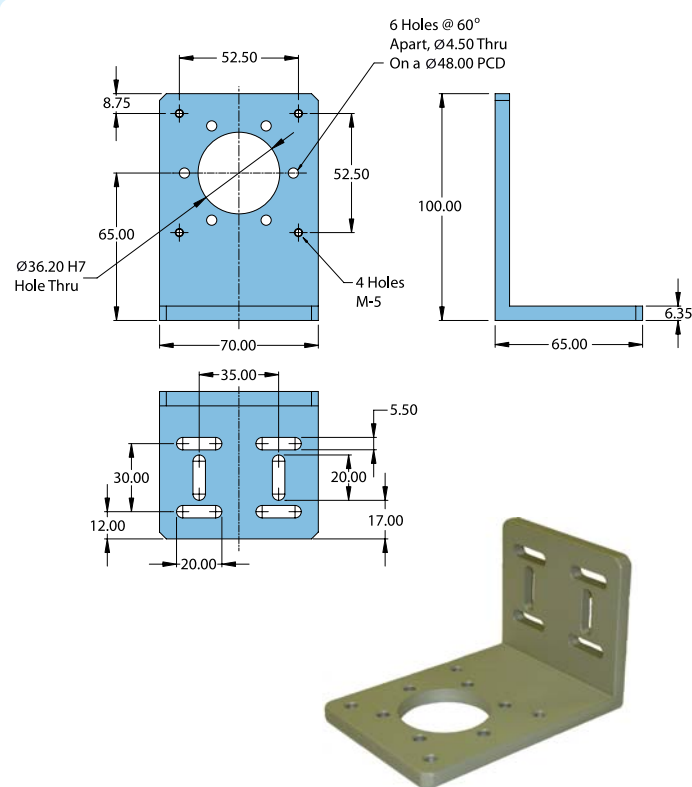
M-C 758/958-26 "L" Bracket

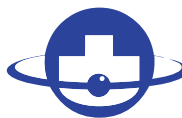


M-G 725 "L" Bracket



M-J 725/758-20 "L" Bracket





Fixed Brackets

Description	To Fit Encoder :-	Order Code
725/925 "L" Bracket	730, 725, 925	M-3
740 STD "L" Bracket	745 STD	M-4
758/958-20 "L" Bracket	758-20, 958-20	M-B
758/958-26 "L" Bracket	758-26, 958-26	M-C
725 "L" Bracket	730, 725, 925	M-G
725/758-20 "L" Bracket	730, 725, 925, 758-20	M-J
TR1 Mounting Bracket	TR1, Tru Trac	140104
Uni-Bracket	260, 702	175997-1

Hinged Brackets

Description	To Fit Encoder :-	Order Code
Single Pivot Bracket	711, 716	140039
Double Pivot Bracket	711, 716	140040

Spring Loaded Brackets

Description	To Fit Encoder :-	Order Code
Pivot Block	758-26, 958-26	M-F
Bracket Arm Assembly	730, 725, 925	M-H

Encoder Flanges

We offer a wide range of add-on flanges which convert the hole fixing patterns and dimensions of our standard encoders to that of various OEM and obsolete devices. Please call our applications engineers for further details.

