



18.607

Submersible OEM Pressure Transmitter

- ▶ for level measurement in water and fuel oil tanks
- ▶ piezoresistive stainless steel sensor
- ▶ output signal
10 % ... 90 % V_s / 3-wire rat.
- ▶ nominal pressure ranges
0 ... 160 mbar, 0 ... 400 mbar
and 0 ... 1 bar



18.607

OEM Pressure Transmitter

Technical Data

Input pressure ranges				
Nominal pressure gauge	[mbar]	160	400	1000
Level	[mH ₂ O]	1.6	4	10
Permissible overpressure	[bar]	0.5	1	3

Output signal / Supply	
3-wire ratiometric	$V_{sig} = 10 \% \dots 90 \% V_s$ with $V_s = 2.8 \dots 5.5 V_{DC}$

Performance		
Accuracy	IEC 60770 ¹ : $\leq \pm 1 \%$ FSO	BFSL: $\leq \pm 0.5 \%$ FSO
Permissible load	> 100 k Ω	
Influence effects	supply: 0.05 % FSO / 10 V	permissible load: 0.05 % FSO / k Ω
Long term stability	$\leq \pm 0.1 \%$ FSO / year	

Thermal errors (Offset and Span)	
Tolerance band	$\leq \pm 1.5 \%$ FSO
TC, average	$\leq \pm 0.3 \%$ FSO / 10 K
In compensated range	0 ... 40° C

Permissible temperatures			
Medium	-10 ... 70° C	Storage	-25 ... 70° C

¹ accuracy according to IEC 60770 – limit point adjustment (non-linearity, hysteresis, repeatability)

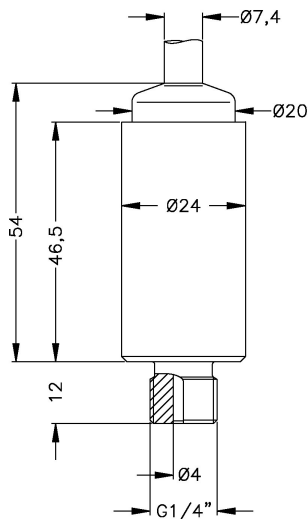
18.607

OEM Pressure Transmitter

Technical Data

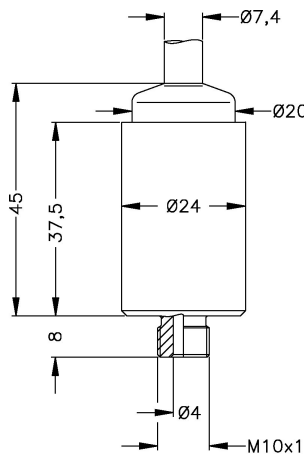
Dimensions (in mm)

Standard



G1/4" DIN 3852
with cable outlet² (IP 68)

Option



M10x1 DIN 3852
with cable outlet² (IP 68)

Materials

Pressure port	stainless steel 1.4305 (303)
Housing	stainless steel 1.4305 (303)
Seals	FKM
Diaphragm	stainless steel 1.4435 (316L)
Cable sheath	PVC (oil resistant)

Miscellaneous

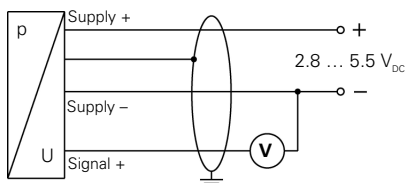
Cable length	3 m, 6 m, 9 m or 12 m; others on request
Permissible media	water, fuel oil
Weight	approx. 85 g (without cable)

Pin configuration

Electrical connections	cable colour (DIN 47100)	
3-wire-system	Supply +	white
	Supply -	brown
	Signal +	green
	Ground	yellow / green (shield)

Wirings diagrams

3-wire-system ratiometric (voltage)



² incl. PVC-cable with integrated air tube for atmospheric reference

This data sheet contains product specification; properties are not guaranteed. Subject to change without notice.

