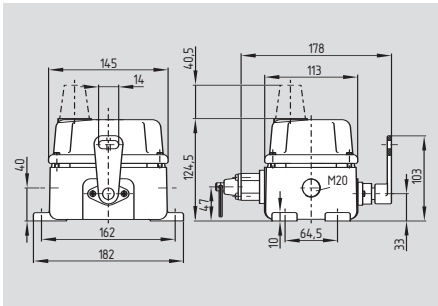


# Pull-wire Emergency-Stop switches

## T3Z 068



- To EN ISO 13850 / IEC 60947-5-5
- Metal enclosure
- Up to 6 contacts
- Robust design
- 2 cable entries M20 x 1.5
- Low actuating force
- Wire up to 2 x 50 m long
- Reset by pull-ring or key possible
- Signalling lamp available on request for various voltage

## Technical data

Standards: IEC/EN 60947-5-1  
IEC/EN 60947-5-5  
EN ISO 13850

Enclosure: cast iron, enamelled  
Cover: cast iron, enamel finish

Protection class: IP 65 to EN 60529

Contact material: silver

Contact type: change-over contact with double break, max. 3 NO and 3 NC contacts

Switching system:  $\ominus$  IEC 60947-5-1 snap action with positive break NC contacts

Connection: screw terminals

Cable section: max. 1.5 mm<sup>2</sup>  
min. 0.75 mm<sup>2</sup>  
(incl. conductor ferrules)

Cable entry: 2 x M20 x 1.5

$U_{imp}$ : 4 kV  
 $U_j$ : 250 VAC  
 $I_{the}$ : 10 A

Utilisation category: AC-15, DC-13

$I_e/U_e$ : 2.5 A / 230 VAC  
6 A / 24 VDC

Max. fuse rating: 6 A gG D-fuse

Positive break torque: 1.8 Nm<sup>2</sup>

Angle for positive break travel: 32°

Positive break force: 50 N

Actuating force: max. 50 N  
(30 N in direction of rope)

Ambient temperature: -30 °C ... +90 °C

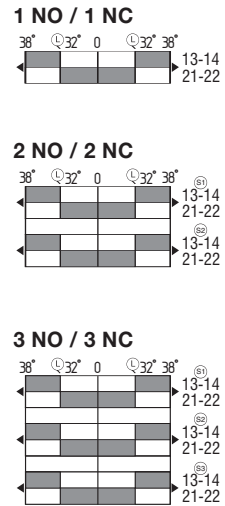
Mechanical life: 50,000 operations

Indicator lamp: yellow 230 VAC/5 W, BA 15D screw socket

Maximum cable length: 2 x 50 m

Features: wire pull and breakage detection

## Contact variants



## Approvals



## Ordering details

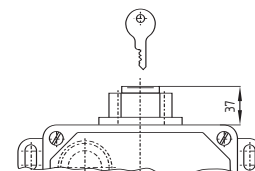
T3Z 068-①yr② ③

No.	Replace	Description
①	11	1NO/1NC
	22	2NO/2NC
	33	3NO/3NC
②	s	Pull-ring reset
	s	Key reset
③	G	Without indicator lamp
	G	With indicator lamp

## Note

At 3 m distance intermediate wire supports are required, see accessories

## Note



Reset by key

## Pull-wire emergency stop switches

### System components



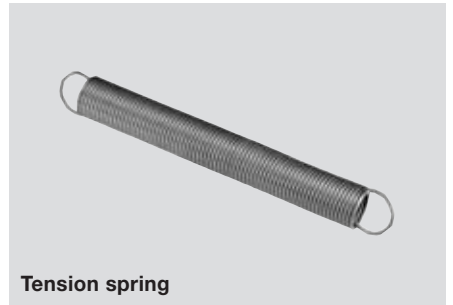
Eyebolt

### System components



Pulley

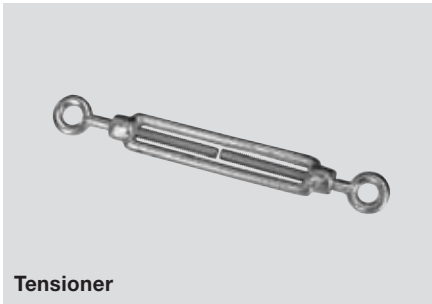
### System components



Tension spring



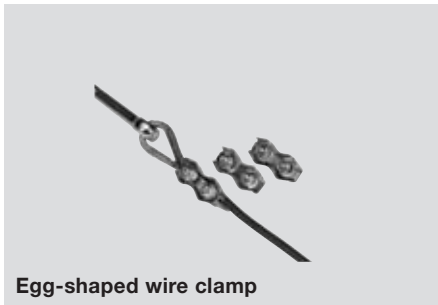
Wire clamp



Tensioner



Rope tensioner S 900



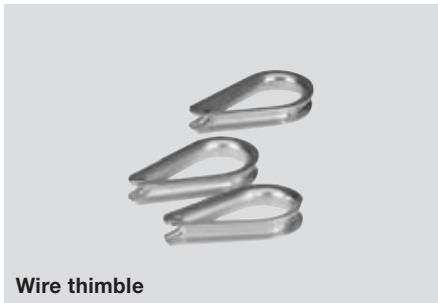
Egg-shaped wire clamp



Wire rope



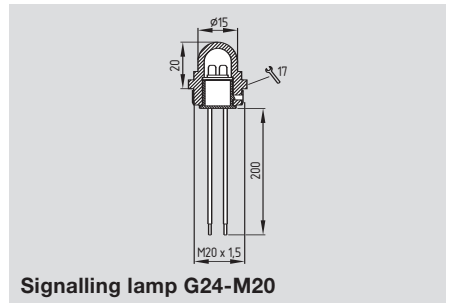
Shackle



Wire thimble



Wire unit complete



Signalling lamp G24-M20

### Ordering details

Eyebolt	
BM 10 x 40	<b>1084928</b>
BM 8 x 70 (stainless steel)	<b>1193046</b>
Wire clamp 3 mm (stainless steel)	<b>1190918</b>
Duplex wire clamp	
3 mm (stainless steel)	<b>1190917</b>
Wire thimble 4 mm (stainless steel)	<b>1190919</b>
Egg-shaped wire clamp	
(without image)	<b>1077072</b>

### Ordering details

Pulley (stainless steel)	<b>1192433</b>
Tensioner M6	<b>1087930</b>
Wire rope per m	<b>on request</b>
Wire unit complete	<b>on request</b>

### Ordering details

Tension spring	<b>1186696</b>
Rope tensioner S 900	<b>1186704</b>
Shackle (stainless steel)	<b>1186490</b>
Signalling lamp G24-M20 (LED 24 VDC)	<b>1186263</b>