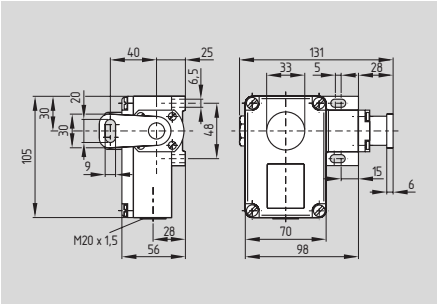


Pull-wire Emergency-Stop switches

ZS 73 S



- To EN 418 / IEC 60947-5-5
- Metal enclosure
- 2 contacts
- 1 cable entry M20 x 1.5
- 2 cable entries available on request
- Wire up to 2 x 50 m long
- Reset by push button or key possible
- Signalling lamp available on request for various voltage
- Wire pull and breakage function
- Available with stainless steel
- EEx version available

Technical data

Standards: IEC/EN 60947-5-1
IEC/EN 60947-5-5
EN 418
BIA (BG)

Certificates:

Enclosure: cast aluminium, enamel finish

Cover: thermoplastic ultramid

Protection class: IP 65 push button reset;
IP 54 key reset to EN 60529

Contact material: silver

Contact type: change-over contact
with double break
or 2 NC contacts

Switching system: \ominus IEC 60947-5-1
snap action with
positive break
NC contacts

Termination: screw terminals

Cable section: max. 2.5 mm²
(incl. conductor ferrules)

Cable entry: 1 x M20 x 1.5

U_{imp} : 6 kV

U_j : 400 V

I_{the} : 6 A

Utilisation category: AC-15

I_e/U_e : 6 A / 400 VAC

Max. fuse rating: 6 A (slow blow)

Positive break torque: –

Angle for positive break travel: –

Positive break force: –

Actuating force: –

Ambient temperature: – 25 °C ... + 70 °C

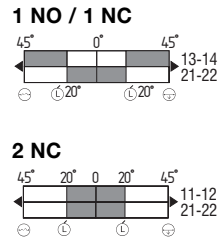
Mechanical life: > 1 million operations

Indicator lamp: –

Maximum cable length: 2 x 50 m

Features: wire pull and
breakage detection

Contact variants



Approvals



Ordering details

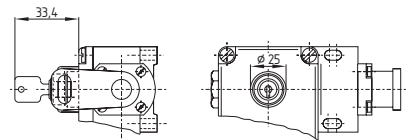
ZS 73 S ① ②-③-④

No.	Replace	Description
①	1Ö/1S 2Ö	1NO/1NC 2NC
②	VD VS	Without safety function Push button reset Key reset
③	G	Without indicator lamp With indicator lamp
④	Niro	hard-coated housing with stainless steel accessories

Note

At 4 m distance intermediate wire supports are required, see accessories

Note



Reset by key

Pull-wire Emergency-Stop switches

System components



Eyebolt

System components

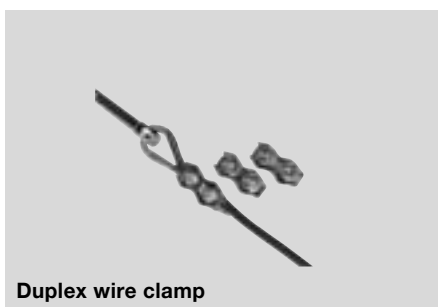


Wire thimble

System components



Wire ropes



Duplex wire clamp



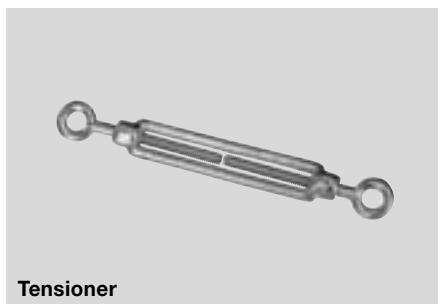
Pulley



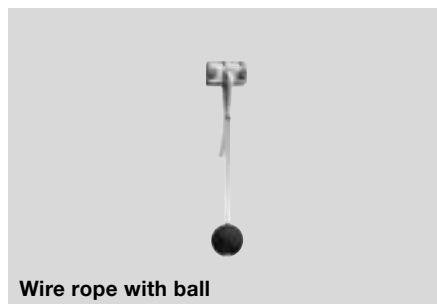
Wire unit complete



Wire clamp



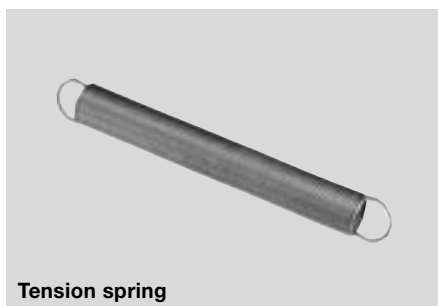
Tensioner



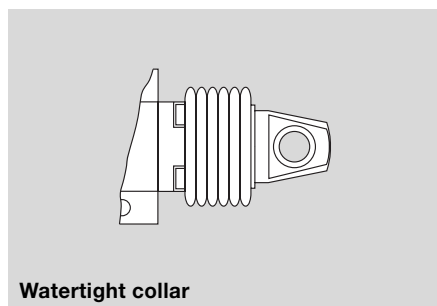
Wire rope with ball



Egg-shaped wire clamp



Tension spring



Watertight collar

Ordering details

Eyebolt*	
BM 10 x 40	1084928
BM 8 x 70	1162986
Duplex wire clamp	1144550
Wire clamp 3mm*	1144548
Egg-shaped wire clamp	1077072

* also available in stainless steel version

Ordering details

Wire thimble 3B*	1144551
Pulley	1144547
Tensioner M6*	1087930
Tension spring	
RZ-136E (only for T3Z 068)	1087931
RZ-156I (only for ZS 73 S/ZS 75 S)	1170752
RZ-172 (only for ZS 441)	1122315

Ordering details

Wire ropes per m *	1094517
Wire unit complete 50 m	1163146
andere Längen auf Anfrage	
Wire rope with ball 1 m	1170757
Wire rope with ball 2 m	1170758
Wire rope with ball 3 m	1170759
Wire rope with ball 4 m	1170760
Watertight collar	Ordering suffix W