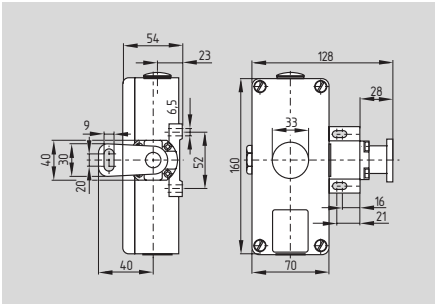


Pull-wire Emergency-Stop switches

ZS 75 S



- To EN 418 / IEC 60947-5-5
- Metal enclosure
- 4 contacts
- 2 cable entries M25 x 1.5
- Wire up to 2 x 50 m long
- Reset by push button or key possible
- Signalling lamp available on request for various voltage
- Wire pull and breakage function
- EEx version available

Technical data

Standards: IEC/EN 60947-5-1
IEC/EN 60947-5-5
EN 418
BIA (BG)

Certificates: BIA (BG)

Enclosure: cast aluminium, enamel finish

Cover: cast aluminium, enamel finish

Protection class: IP 65 push button reset;
IP 54 key reset to EN 60529

Contact material: silver

Contact type: change-over contact with double break or 2 NO and 2 NC or 4 NC contacts

Switching system: IEC 60947-5-1 snap action with positive break NC contacts

Termination: screw terminals

Cable section: max. 2.5 mm² (incl. conductor ferrules)

Cable entry: 2 x M25 x 1.5

U_{imp}: 6 kV

U_i: 400 V

I_{the}: 6 A

Utilisation category: AC-15

I_e/U_e: 6 A / 400 VAC

Max. fuse rating: 6 A (slow blow)

Positive break torque: –

Angle for positive break travel: –

Positive break force: –

Actuating force: –

Ambient temperature: – 25 °C ... + 70 °C

Mechanical life: > 1 million operations

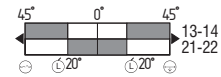
Indicator lamp: –

Features: wire pull and breakage detection

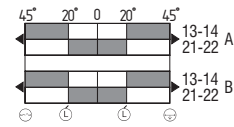
Maximum cable length: 2 x 50 m

Contact variants

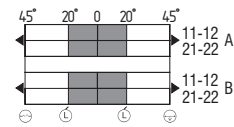
1 NO / 1 NC



2 NO / 2 NC



4 NC



Approvals



Ordering details

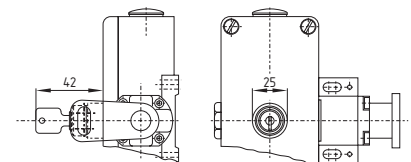
ZS 75 S ① ②-③

No.	Replace	Description
①	1Ö/1S	1NO/1NC
	2Ö/2S	2NO/2NC
	4Ö	4NC
②		Without safety function
	VD	Push button reset
	VS	Key reset
③		Without indicator lamp
	G	With indicator lamp

Note

At 4 m distance intermediate wire supports are required, see accessories

Note



Reset by key

Pull-wire Emergency-Stop switches

System components



Eyebolt

System components

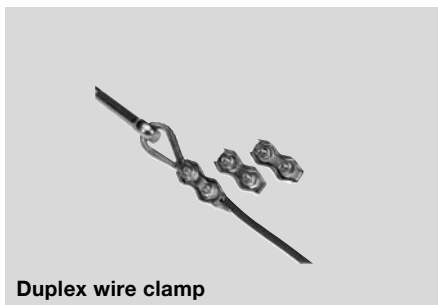


Wire thimble

System components



Wire ropes



Duplex wire clamp



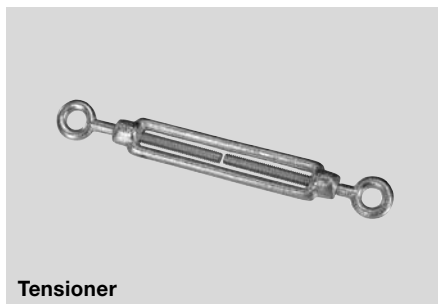
Pulley



Wire unit complete



Wire clamp



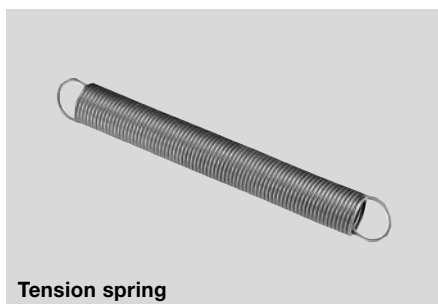
Tensioner



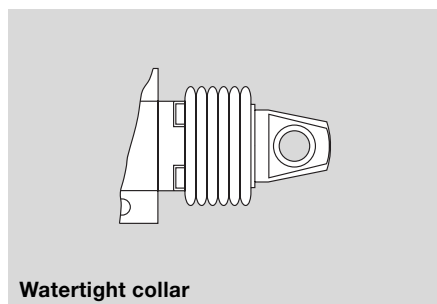
Wire rope with ball



Egg-shaped wire clamp



Tension spring



Watertight collar

Ordering details

Eyebolt*	
BM 10 x 40	1084928
BM 8 x 70	1162986
Duplex wire clamp	1144550
Wire clamp 3mm*	1144548
Egg-shaped wire clamp	1077072

* also available in stainless steel version

Ordering details

Wire thimble 3B*	1144551
Pulley	1144547
Tensioner M6*	1087930
Tension spring	
RZ-136E (only for T3Z 068)	1087931
RZ-156I (only for ZS 73 S/ZS 75 S)	1170752
RZ-172 (only for ZS 441)	1122315

Ordering details

Wire ropes per m *	1094517
Wire unit complete 50 m	1163146
andere Längen auf Anfrage	
Wire rope with ball 1 m	1170757
Wire rope with ball 2 m	1170758
Wire rope with ball 3 m	1170759
Wire rope with ball 4 m	1170760
Watertight collar	Ordering suffix W